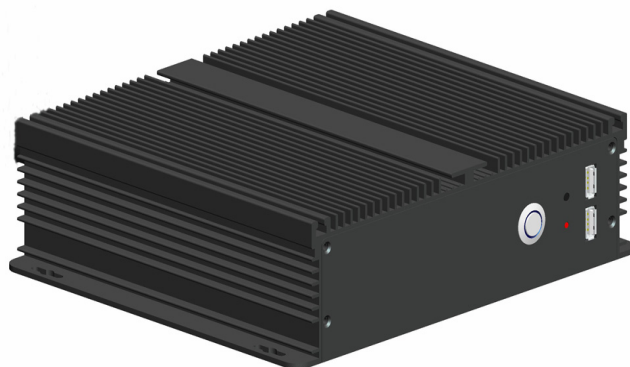


# Fanless Embedded computer

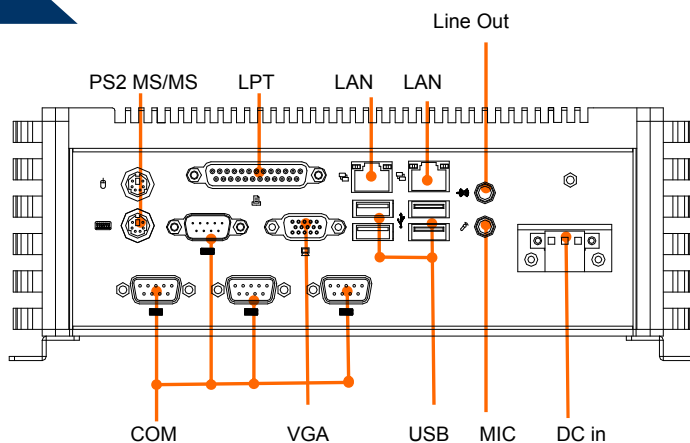
## BPC-D5204-FL

### Features

- Fanless design with compact size
- Support Intel atom D525 dual-core 1.8GHz Processor
- Intel D525 + Intel NM10 chipset, Build-in INTEL GMA 3150 Graphics Core
- 1 x SO-DIMM DDR3 800 Slot, Max to 2GB
- 1x 2.5-inch anti-vibration HDD
- 1x Mini PCI-E socket
- 3 x Rs232 COM Port, 1x Rs422 / Rs485 COM Port
- Multiple I/O,USB2.0, LAN, COM, VGA, LPT, PS2 KB/MS, Mini PCI-E, Audio
- Wide range DC 8-30V input



### Design Drawings



### Specifications

#### System Characteristics

Processor	: Intel ATOM D525 dual-core 1.8GHz Processor Front Side Bus 800MHz
Chipset	: Intel NM10chipset, Build-in INTEL GMA 3150 Graphics Core
Memory	: 1 x SO-DIMM DDR3 800MHz Slot, Max to 4GB
Storage	: 1x 2.5" SATA HDD, anti-vibration
Graphic	: Intel GMA3150 Graphics Core
Ethernet	: 2 x 10/100/1000Mbps
VGA	: 1 x VGA connector
Parallel	: 1 x LPT connector
K/B & Mouse	: 1 x PS/2 Keyboard and 1 x PS/2 Mouse connector
Audio	: Realtek ACL662 6-channel Audio codec integrated
USB	: 6 x USB 2.0
Serial	: 4 x COM Port
Expansion Slot	: 1 x PCI , 2 x Mini PCI-E ( internal )
WLAN	: IEEE 802.11b/g/n ( option )

#### Mechanical Specification

Construction	: Heavy duty steel chassis
Mounting	: Desktop / Wall mounting
Weight	: Net: 3.5 kg, Gross: 5.5 kg
Dimension	: 234 x 200 x 64 mm (Wx D x H)

#### I/O connector

##### Front I/O Panel

- 1 x Power Switch Button
- 1 x HDD Active LED
- 1 x Power LED
- 2 x USB 2.0
- 1 x Reset Switch

##### Rear I/O panel

- 2 x 10/100/1000 LAN port ( RJ45 )
- 1 x VGA ,
- 1 x LPT
- 1 x PS2 Keyboard, 1 x PS2 mouse
- 4 x USB
- 4 x COM Port ( 3 x RS-232, 1 x RS/232/RS422/RS485)
- 1 x 3pin Terminal
- 1x Line out / MIC in

#### Environmental Specification

Operation Temperature	: 0 -50 C
Storage Temperature	: -20 - 60 C
Humidity	: 10%-90% non-condensing
Vibration	: 1grms ( 5-500Hz / 3-axes )
Shock	: 10g/ 11ms

# Fanless Embedded computer

## BPC-D5204-FL

### Power Specifications

AC IN : 100- 240V, 50/60HZ  
DC out : 12V/5A ,60Watts external AC Adapter

### Certification and Approvals

• CE/FCC/ROHS

### Ordering Information

BPC-D5204-FL : Embedded Box PC support Intel ATOM D525 dual-core 1.8 GHz Processor, w/ 4 X COM Port, W/320G HDD and 2G RAM  
AMPE-LW08A : Mini PCI-E wireless LAN card with antenna

### Design Drawings

Unit : mm

