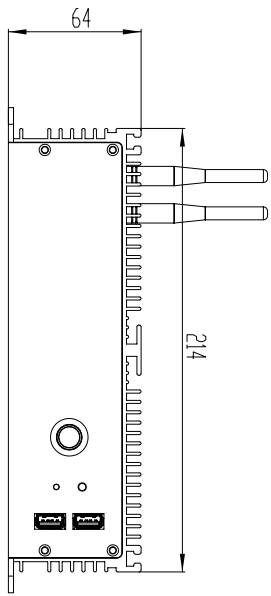
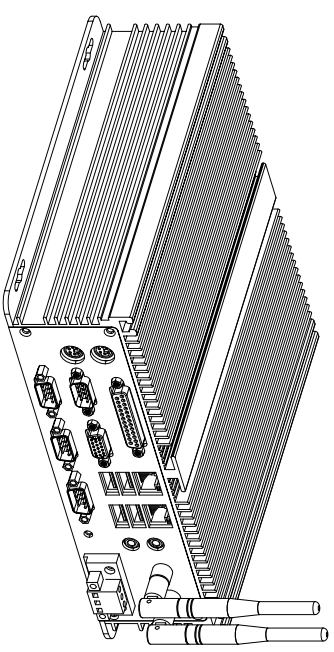
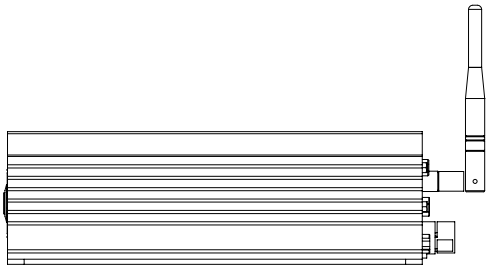
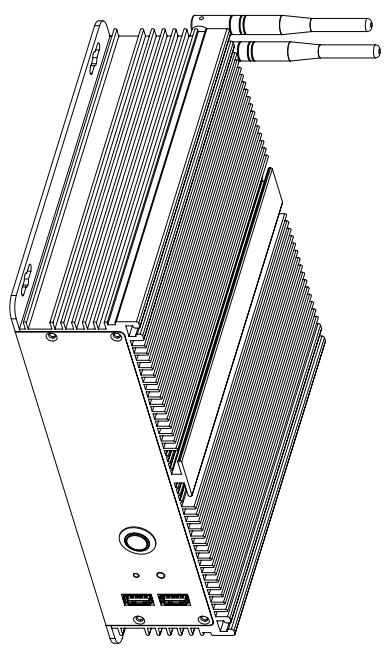
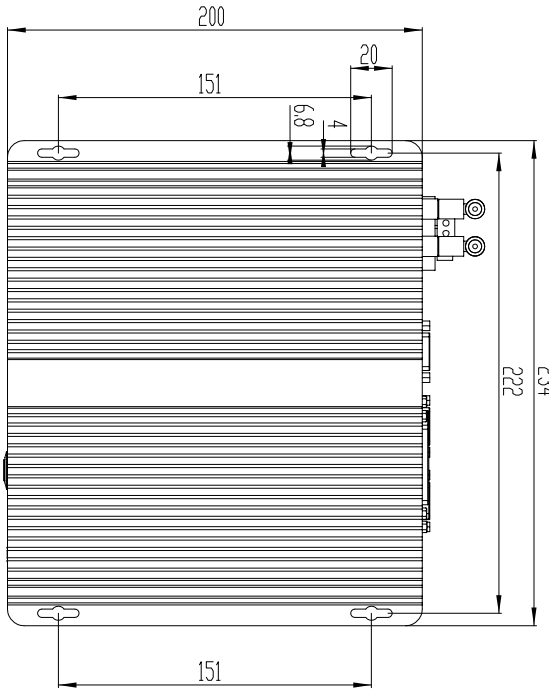
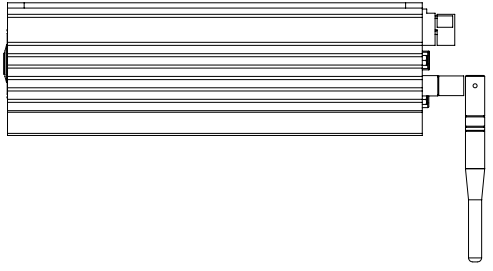
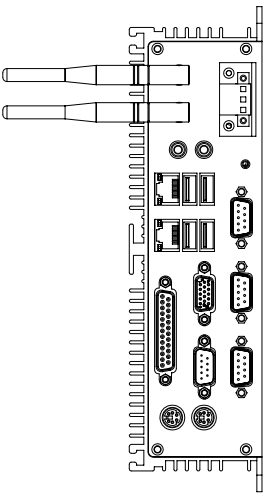


MARK	DATE	UPDATE DESCRIPTION	SIGN	APPROVER
△				



Ver.	A0	FINISHING							
Q'ty	1	MATERIAL							
SELECT V	V	EXTRA							
DIM TOL	A	B	C	D					
-8	±0.03	±0.05	±0.10	±0.20					
8~25	±0.05	±0.08	±0.20	±0.30					
25~80	±0.08	±0.12	±0.30	±0.40					
80~250	±0.12	±0.20	±0.40	±0.50					
250~	±0.20	±0.30	±0.50	±0.60					
ANGLE TOL	±0.2°	±0.3°	±0.4°	±0.5°					
3RD ANGLE'S		APPROVED		CHECKED		DESIGNED		DATE	
⊕		△		Jack Chen		09-Jan-13			
TITLE		DRAWING NO.		MODEL NO.		PART NO.		SCALE	
BPC-D5204-FL		BPC-D5204-FL-3D3V.DWG		BPC-D5204-FL		***		0.4	
ASUNO		SCALE		UNIT		SHEET		SHEET	
		SIZE		MM		1 OF 1		8	

