

IPC-I5610M-2R

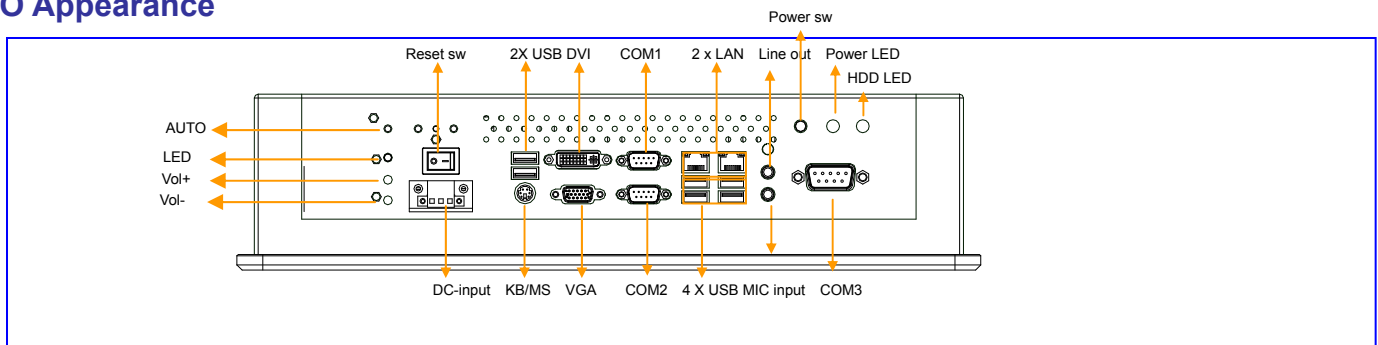
10.4" LED High Performance Industrial
Panel PC ,with i7/i5/i3 Processor

Features

1. 10.4" Panel support 800 × 600pixel
2. Intel Core i7/i5/i3 Sandy bridge Processor
3. System memory 1 x DDR3 DIMM slot ,up to 8G 1066/1333MHz
4. Front 6mm aluminum bezel with IP65 compliant
5. Front hardness glass protect screen (touch option)
6. 3COM (1x RS485), 1xDVI, 1x PS/2, 1xVGA, 6xUSB, 2xLAN, 1x AUDIO、 MIC
7. 1 xMini PCIe slot
- 8.Back For Power LED and HDD LED Indication and 2x 3 Watts stereo speaker,
9. Wireless LAN with antenna (option)
10. Panel (Flush) mount with clip
11. Wide range DC 8-30V input
12. Standard VESA 75/100mm support stand ,wall mount and swing arm



I/O Appearance



Various applications

1. Advanced Control or data entry operator interfaces
2. Information management and retrievals
3. Entertainment management systems
4. Point of sale (POS) terminals
5. Banking /office automation

Specifications

System	CPU	Intel Core i7/i5/i3 Sandy bridge Processor with1066/1333 MHz FSB
	Chipset	Intel H61
	Memory	1x DIMM DDR3 800/1066/1333 SDRAM up to 8 GB
	HDD	Space for 1x 2.5" 320G SATA HDD
	Ethernet	Two LAN onboard: 2x Realtek ® RL8111x (Gigabit) 10/100/1000Ethernet
	Audio	Realtek ® ALC662, 5.1 channel surround audio
	Mounting	Panel / VESA 75 X 75mm and 100 x 100mm
	Construction	Aluminum front bezel and Aluminum chassis
	DimensionWxHxD (mm)	287.4 x 227.4 x 90mm
	NET Weight (kgs)	6.5 KG

IPC-I5610M-2R

10.4" LED High Performance Industrial

Panel PC ,with i7/i5/i3 Processor

OS support	Support DOS, Windows, Netware, Unix, Linux,	
I/O Ports	Serial ports	2 x RS-232, 1 x RS422/485
	DVI ports	1 x DVI-D port
	Keyboard and Mouse ports	PS/2
	VGA	DB-15 Connector
	Sound	Mic-in / Line-out
	Ethernet	2 x 10/100/1000MLAN port (RJ-45)
	USB port	6 x USB2.0
	DC input Connector	3Pin DC power input terminal block
Environmental Specifications	Operating Temperature	0 °C to 50°C
	Storage temperature	-20 °C to 60 °C
	Relative Humidity	10% to 90% non-condensing
	Shock (operating)	1G /peak (11m sec)
	Vibration	17 to 500HZ 1G PTP
	Front panel protection	IP65/NEMA 4 compliant
LCD Display	Display Type	10.4" TFT LED Panel
	Screenresolution (Pixels)	800 * 600
	Brightness	250cd/m2
	Viewing angle	140°(H) , 120°(V)
Touch screen	Internal USB interface controller	
	Resolution: continuous	
	Light transmission: 80% or more	
	Surface hardness : 3H	
	Operating force : ≤100g	
	Life expectancy : 35 Million	
	Support DOS, Windows, Netware, Unix, Linux,	
Power Supply	Output Rating 85W	
	Input Voltage : 8~30v, *External AC adapter*	

Ordering Information

IPC-I5610M-2R	10.4" SVGA High Performance industrial panel pc w/o Processor, with 2G RAM, 2.5" 320G HDD, With Resistive Touch screen, with 19V/120W external AC adapter
MP-MS150NW	Mini-PCIE wireless Lan card with antenna