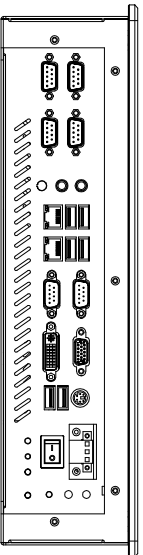
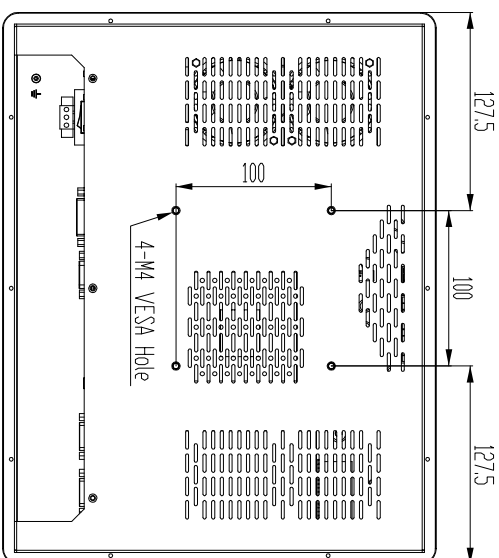
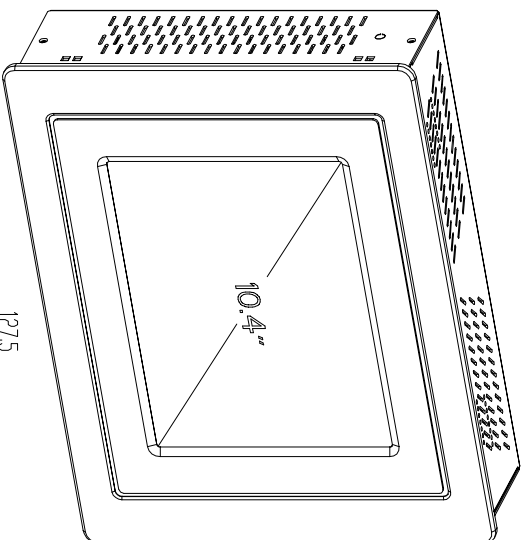
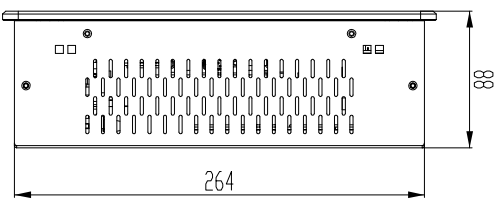
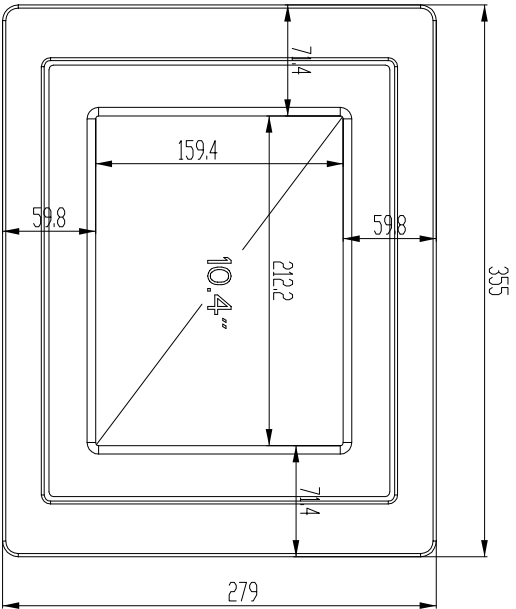
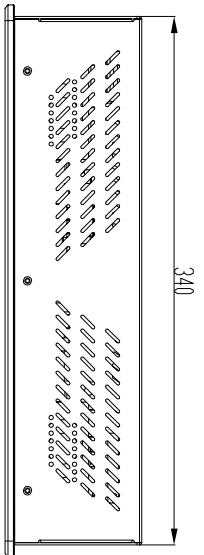


MARK	DATE	UPDATE DESCRIPTION	SIGN	APPROVER
△				



CUT OUT DIMENSION(342X266mm) UNIT:mm

* Note: this is a simplified drawing and some components are not marked in detail. Please contact our sales representative if you need further product information.

Ver.	AD	FINISHING
------	----	-----------

Q'ty	1	MATERIAL
------	---	----------

SELECT V	V	A	B	C	D	EXTRA	3RD ANGLES
----------	---	---	---	---	---	-------	------------

DIM TOL	A	B	C	D	EXTRA
---------	---	---	---	---	-------

8~25	±0.05	±0.08	±0.10	±0.20	±0.30
------	-------	-------	-------	-------	-------

25~80	±0.08	±0.12	±0.20	±0.30	±0.40
-------	-------	-------	-------	-------	-------

80~250	±0.12	±0.20	±0.40	±0.50	
--------	-------	-------	-------	-------	--

250~	±0.20	±0.30	±0.50	±0.60	
------	-------	-------	-------	-------	--

TITLE	IPC-15610M-2R-ASSY
-------	--------------------

APPROVED	
----------	--

CHECKED	
---------	--

DESIGNED	
----------	--

DATE	29-Jun-15
------	-----------

PART NO.	***
----------	-----

DRAWING NO.	IPC-15610M-2R-3D3V.DWG
-------------	------------------------

MODEL NO.	IPC-15610M-2R
-----------	---------------

SCALE	0.3
-------	-----

UNIT	MM
------	----

SIZE	A3
------	----

SHEET	1 OF 1
-------	--------