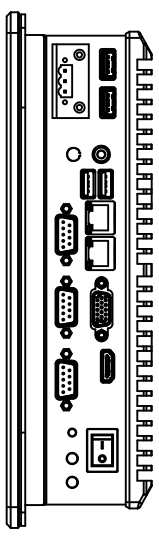
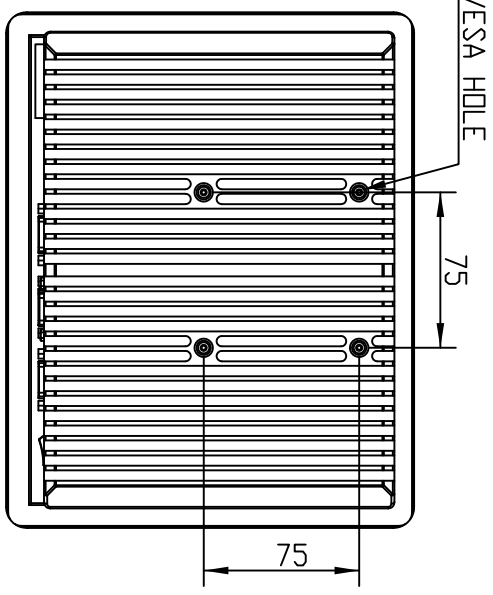
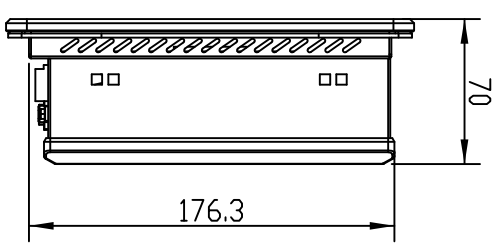
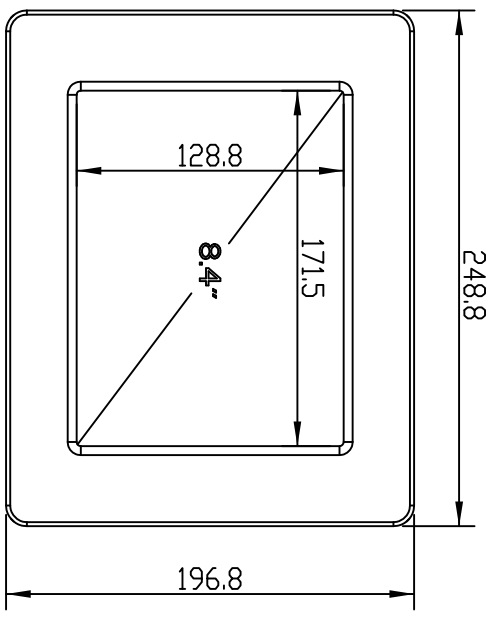
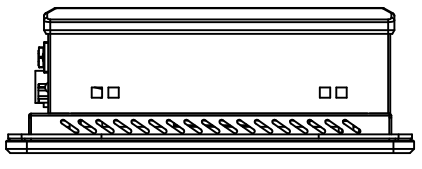
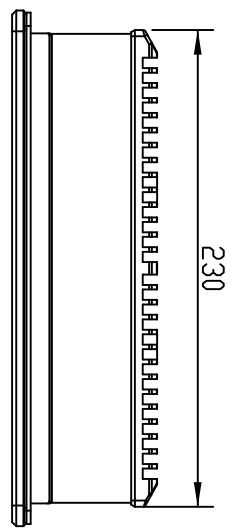


MARK	DATE	UPDATE DESCRIPTION	SIGN	APPROVER
△				



CUT OUT DIMENSION(232x178.5mm) UNIT:mm

* Note: this is a simplified drawing and some components are not marked in detail. Please contact our sales representative if you need further product information.

Ver.	A0	FINISHING	
Q'ty	1	MATERIAL	
SELECT V	V		
DIM TOL	A	B	C
-8	±0.03	±0.05	±0.10
8-25	±0.05	±0.08	±0.20
25-30	±0.08	±0.12	±0.30
30-250	±0.12	±0.20	±0.40
250+	±0.20	±0.30	±0.60
ANGLE TOL	±0.2°	±0.3°	±0.4°
		EXTRA	
		3RD ANGLES	
TITLE	FIPC-N28084-ASSY		
DRAWN NO.	FIPC-N28084-3D3V.DWG		
CHECKED			
DESIGNED			
DATE	21-Jul-14		
PART NO.			
SCALE	0.4	UNIT	MM
SIZE	A3	SHEET	1 OF 1