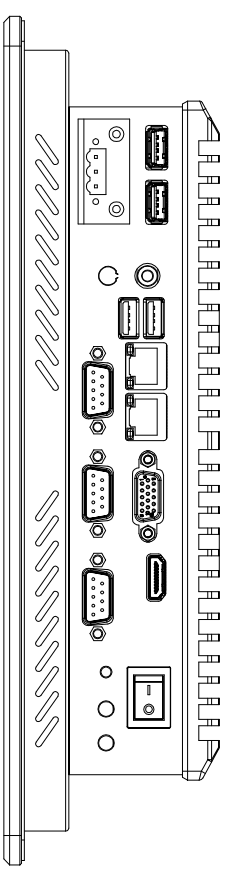
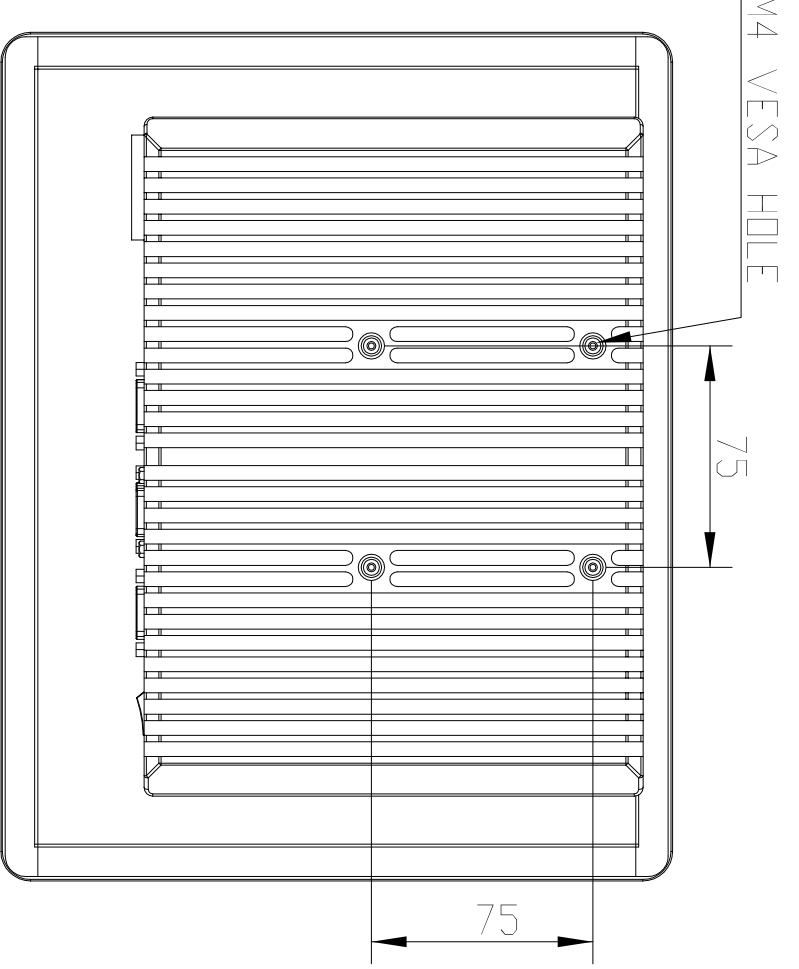
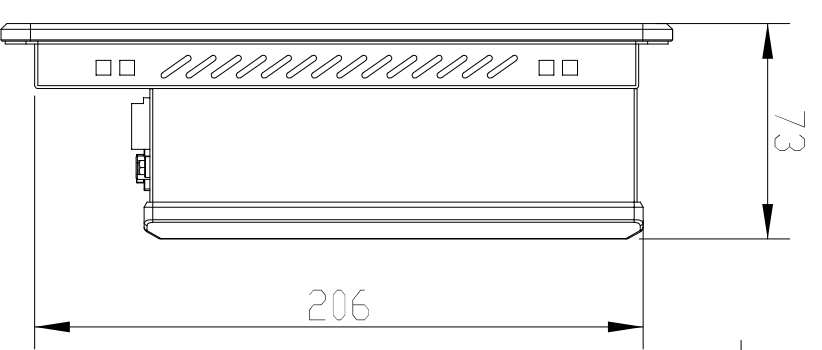
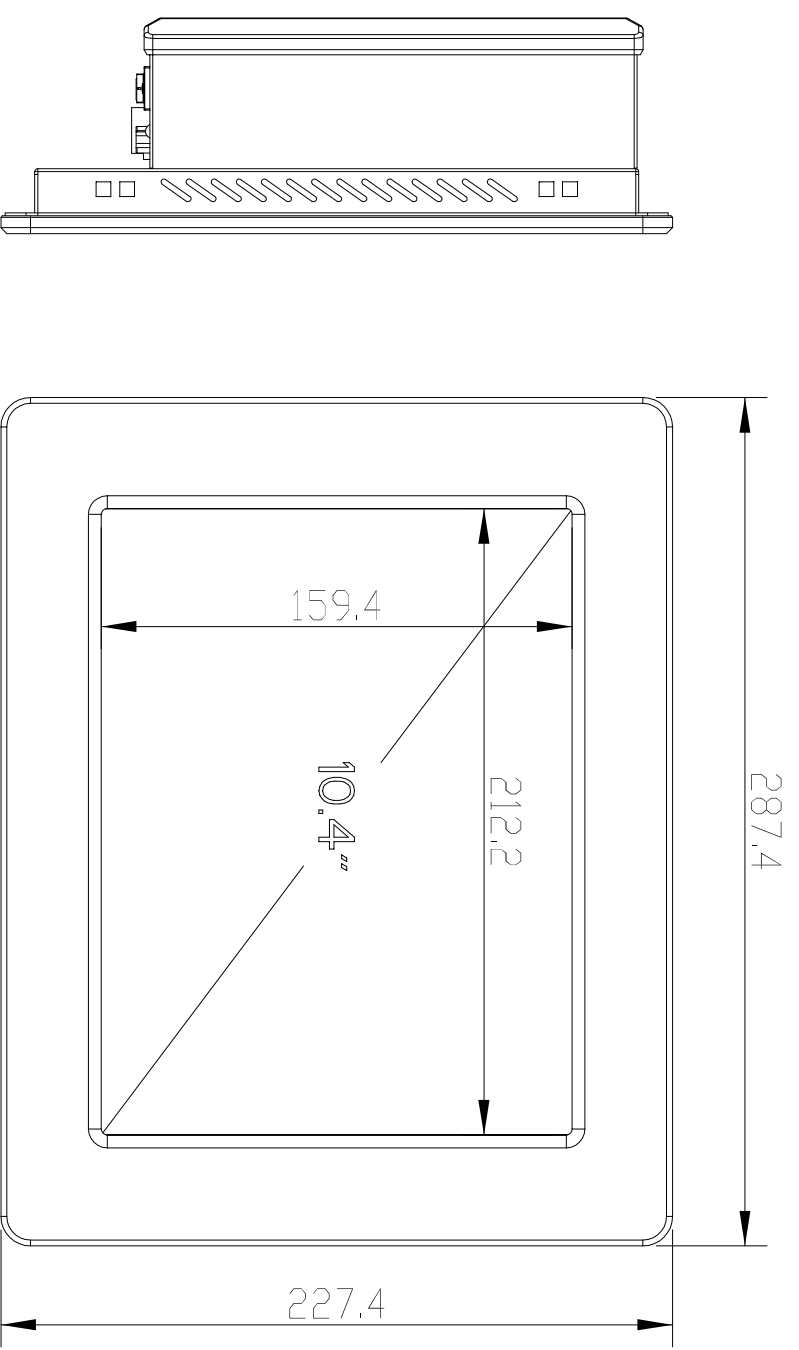
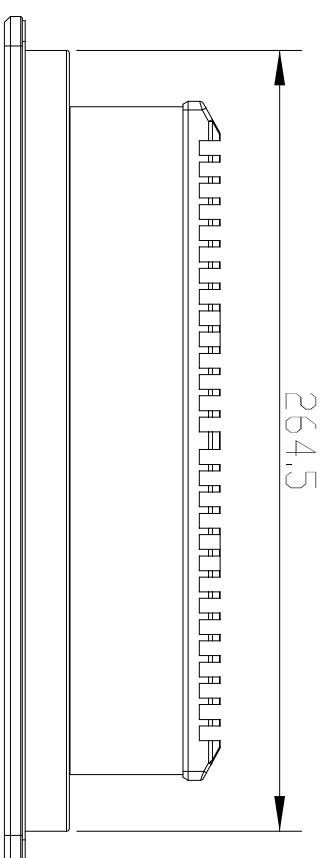


MARK	DATE	UPDATE DESCRIPTION	S:JM	APPROVER
△				



CUT OUT DIMENSION(266.5x208mm) UNIT:mm

\* Note: this is a simplified drawing and some components are not marked in detail. Please contact our sales representative if you need further product information.

Ver.	A0	FINISHING								
Qty	1	MATERIAL								
SELECT	/									
DIM TOL	A	E	C	D	EXTRA	3RD ANGLE'S				
~8	±0.3	±0.05	±0.0	±0.20		APPROVED		TITLE	FIPC-N2810-ASSY	
3~25	±0.5	±0.08	±0.2	±0.30		CHECKED		DRAWING NO.	FIPC-N2810-3D3V.DWG	
25~30	±0.8	±0.2	±0.3	±0.40		DESIGNED		MODEL NO.	FIPC-N2810	SCALE
80~250	±0.2	±0.2	±0.4	±0.50		IATE	10-Moy-14	PART NO.		0.4
200~	±0.3	±0.3	±0.5	±0.60				SIZE	A3	JMT: MM
ANGLE TOL	±0.2°	±0.2°	±0.4°	±0.3°				SHEET: 1 OF 1		