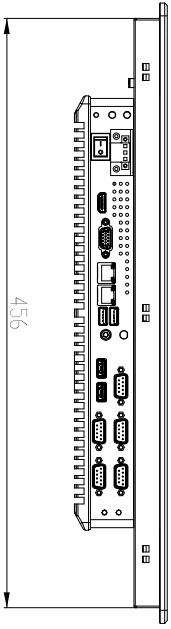
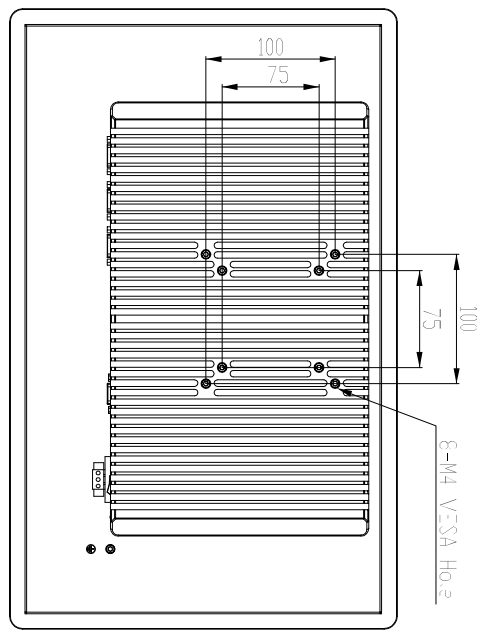
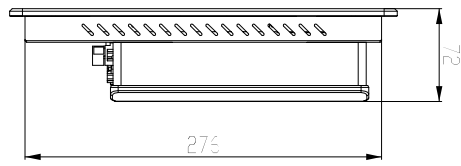
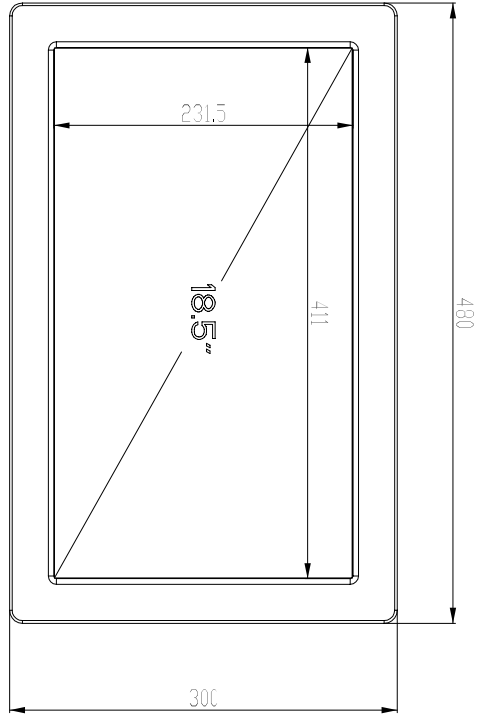
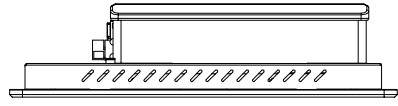
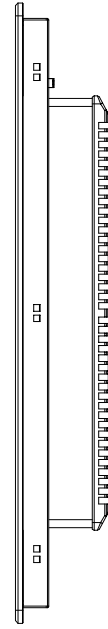


MARK	DATE	PRODUCT DESCRIPTION	SIZE	APPROVER
▽				



CUT OUT DIMENSION(458x278mm) UNIT:mm

* Note: this is a simplified drawing and some components are not marked in detail. Please contact our sales representative if you need further product information.

VER.	A0	FINISH	
QTY	1	MATERIAL	
SECT	V		
DIR. TO	A, B, L, T, M2	SPT. ANGLES	
~4	±0.0 ±0.05 ±0.07 ±0.10 ±0.15	APPROV/ED	
C-2E	±0.0 ±0.07 ±0.10 ±0.15 ±0.20	CHECKED	
P-1-B1	±0.0 ±0.07 ±0.10 ±0.15 ±0.20	DESIGN	
30-2TC	±0.2 ±0.2 ±0.2 ±0.2 ±0.2	DATE	03-Aug-14
C-1	±0.0 ±0.0 ±0.0 ±0.0 ±0.0	PART NO.	***
ANGLE TOL.	±0.5 ±0.5 ±0.5 ±0.5 ±0.5	SCALE	A3
		SHEET	1 OF 1

1 2 3 4 5 6 7 8

A B C D E