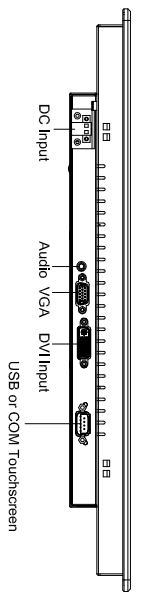
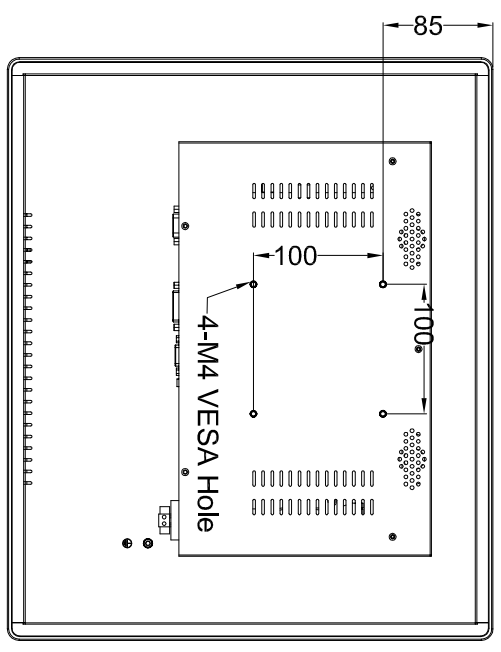
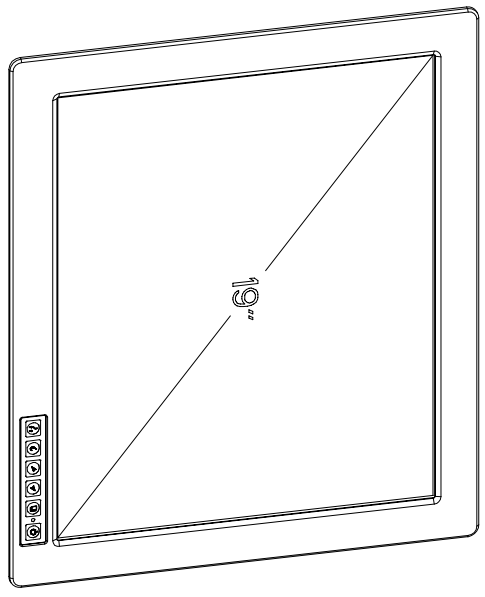
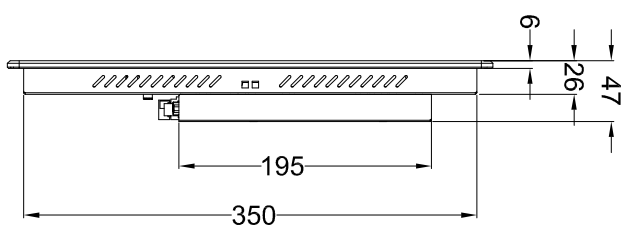
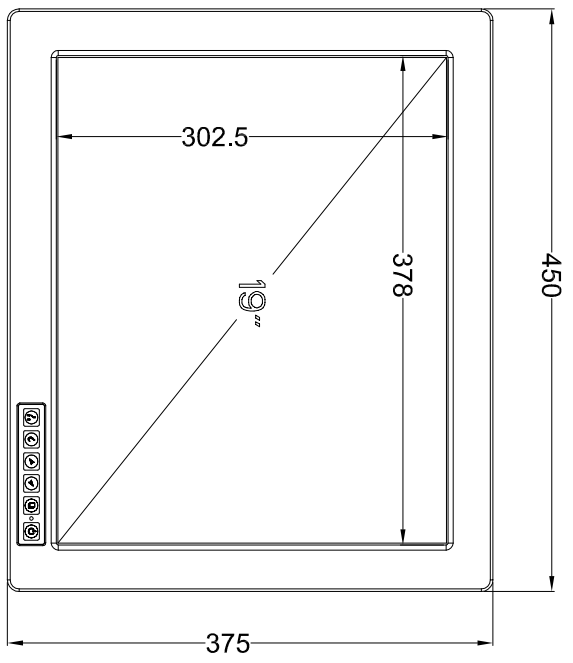
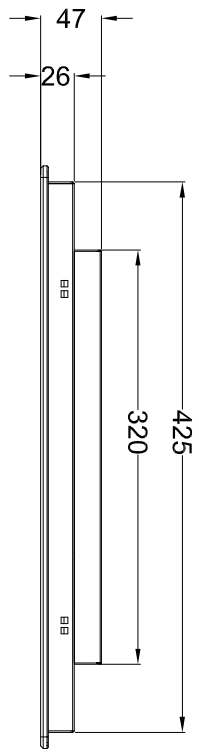


|      |      |                    |      |          |
|------|------|--------------------|------|----------|
| MARK | DATE | UPDATE DESCRIPTION | SIGN | APPROVER |
| △    |      |                    |      |          |



**CUT OUT DIMENSION (427x352mm) UNIT:mm**

\* Note: this is a simplified drawing and some components are not marked in detail. Please contact our sales representative if you need further product information.

|            |                 |             |        |
|------------|-----------------|-------------|--------|
| Ver.       | A1              | FINISHING   |        |
| Q'ty       | 1               | MATERIAL    |        |
| SELECT V   | 1               |             |        |
| DIM TOL    | A               | B           | C      |
| -8         | +0.03           | +0.05       | +0.10  |
| 8-25       | +0.05           | +0.08       | +0.20  |
| 25-60      | +0.08           | +0.12       | +0.30  |
| 60-250     | +0.12           | +0.20       | +0.40  |
| 250+       | +0.20           | +0.30       | +0.60  |
| ANGLE TOL  | +0.2°           | +0.3°       | +0.4°  |
|            |                 | EXTRA       |        |
|            |                 | 3RD ANGLE'S |        |
| TITLE      | IPM-19-ASSY     |             |        |
| DRAWIN NDL | IPM-19-3D3V-DWG |             |        |
| MODEL NDL  |                 |             |        |
| DATE       | 26-Aug-14       |             |        |
| PART NDL   |                 |             |        |
| SCALE      | 0.25            | UNIT:       | MM     |
| SIZE       | A3              | SHEET:      | 1 OF 1 |